

# Hinge Unit HU

## Panel Opening Orientation

HU version HL/HR/TH

- Hinge position can be specified to the left, right or top.
- Panels can open by 90° degrees
- Panels can't be removed



Closed



Open

# Technical Information

## Panel Configuration

Hinging Panel, opening inwards from fixed frame. Hinges can be positioned on either the left or right side or the Top. Internally Fitted Friction Stay Hinges. Opening to 90°. Panels Cannot be removed. Single operating handle with multipoint locking onto compression seals

## Panels removable

No

## Size

Min 347w x 385h, 4mm glass max 950 x 1200, 6/6.4mm glass max 950mm x 2100mm

## Glass

Standard glass 4mm tough - Max glass thickness 6.8 laminate

## Thermal Performance: Variable

Standard 2.5  $\text{wm}^2\text{K}$  / \*Low-E 1.8  $\text{wm}^2\text{K}$

## Acoustic Performance: Variable

Mid-Range Spec\* 51dB / High spec 53dB  
\*Certificated

# Specification

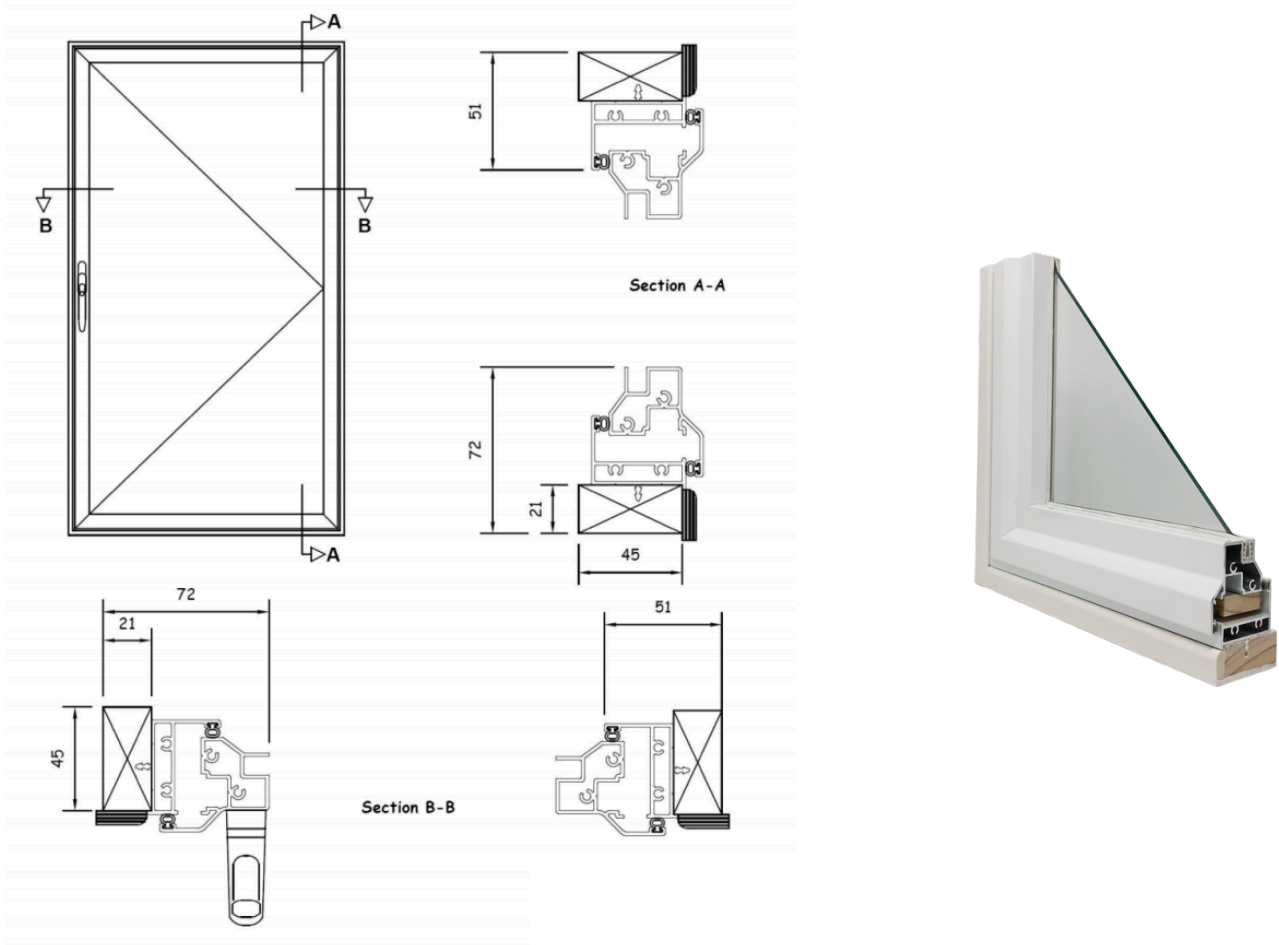
- All frames include PVC-U trim as standard – Painted MDF or PEFC timber available upon request.
- Aluminium 6063 T6 alloy to BS EN 755 standard, power coated to BS 6496 to 60 micron finish.
- Stock finishes: White – Interpon SA 098E high gloss, anodised.
- The sub-frame is manufactured from primed high quality, environmentally certified (MTCS) engineered timber.
- Standard sizes 45mm x 21mm & 62mm x 21mm.
- All Frames are factory glazed.
- Standard gasket colour is white.

In line with our company policy of continuous product development and improvement Clearview reserves the right to make minor alterations without notice.

# Optional Extras

- Black Gasket
- Locking Fitch Catch
- Chubb Lock
- Travel Limit Stop
- 25mm x 25mm box to support where stacked white aluminium coupling / stacking interlock
- Trickle vents / acoustic trickle vents
- RAL colour
- Fly screen
- Timber sizes other than standard

# Standard Frame Diagram



All units can be supplied in a Face or Reveal Fix drilled orientation.

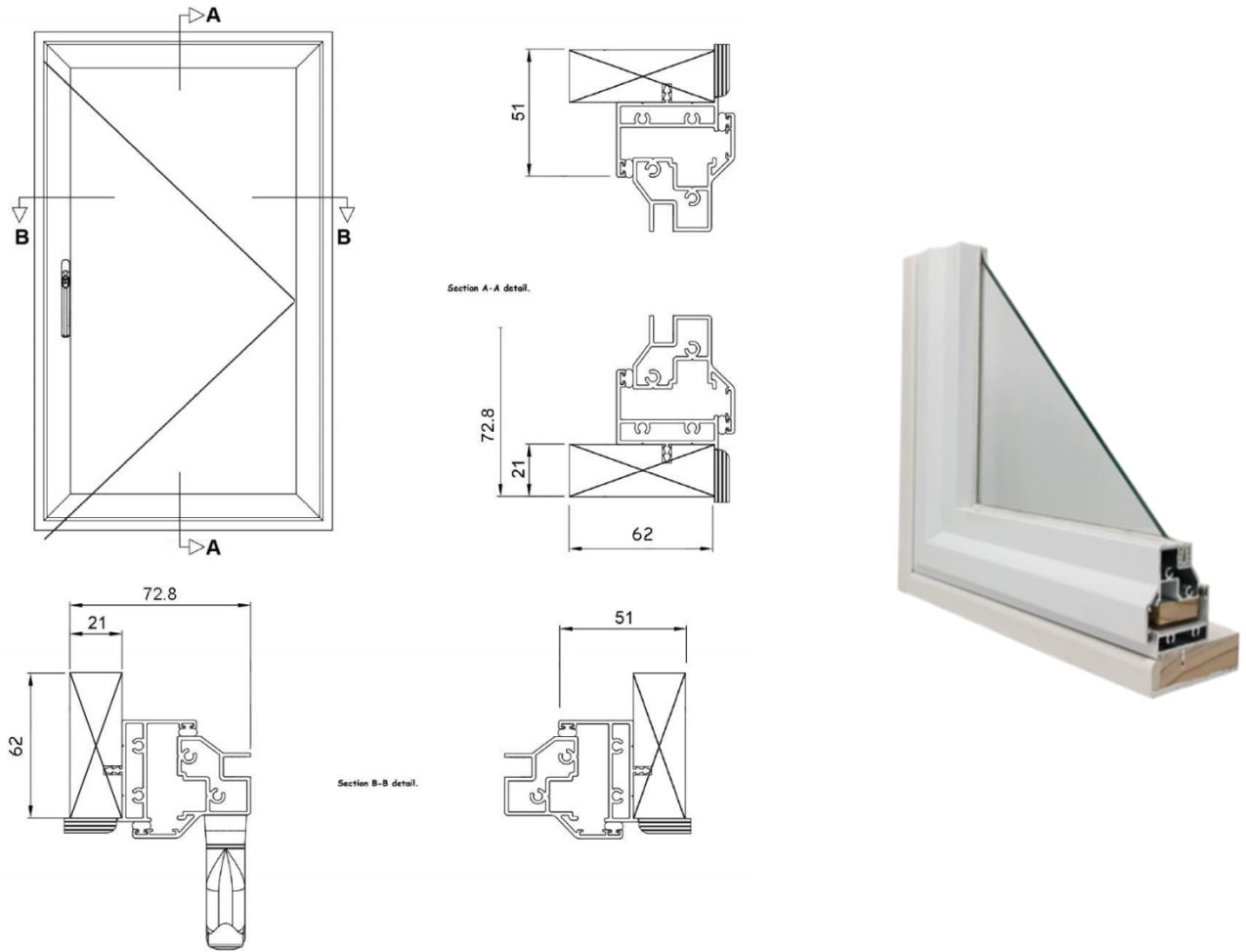
Other Frame options available on Request.

## Fixing Options



Images are for representation purposes only and may differ from some product options.

# XL Frame Diagram



## Classic XL Frame Depth Options

50 x 21      62 x 21      70 x 21      80 x 21      (other frames available on request)

The XL Frames give more stable installation when in a standalone reveal fix orientation. Smoother running of horizontal sliding panels. No visible screw heads in the aluminium tracks it will also increase the air-gap in a face fix orientation.

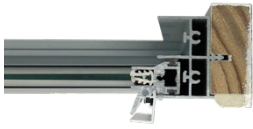
All units can be supplied in a Face or Reveal Fix drilled orientation.

## Fixing Options

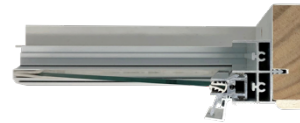


Images are for representation purposes only and may differ from some product options.

# Timber Modification Options



Standard Timber Option



XL Timber Option



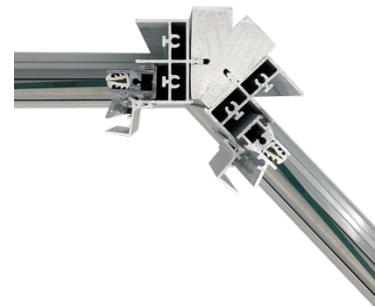
Bevelled Timber for Splayed Reveal



Example of Splayed Reveal



Angled Bay Bevelled Timber



Angled Bay Connected Timbers



Square Bay Bevelled Timber



Square Bay Connected Timbers

*Images for illustration purposes only, demonstrating timber section detail*



Please get in touch with one of our friendly team today for help & advice.



Online Help Centre  
[Visit our Online Help Centre >>](#)



Fast Quote  
[Get a fast quote online >>](#)



Email  
[info@clearviewsg.co.uk](mailto:info@clearviewsg.co.uk)



Phone  
0114 294 5018

