

Slim Line Lift Out HSLO

Panel Orientation

LO version

- Sliding panels – n/a
- Panels can be removed



Closed



Panel Out

Technical Information

Panel Configuration

Simple removable panel which can be lifted in and out of the fixed frame as and when required.

Panels removable

Yes

Size

Min 500w x 500h, 4mm glass max 2000 x 2000, 8.8mm glass max *on application*

Glass

Standard glass 4mm tough - Max glass thickness 8.8 laminate

Thermal Performance: Variable

Standard 2.5 w/m²K / *Low-E 1.8 w/m²K

Acoustic Performance: Variable

Mid-Range Spec* 48dB / High spec 51dB
*Certificated

Specification

- All frames include PVC-U trim as standard – Painted PEFC timber available upon request.
- Aluminium 6063 T6 alloy to BS EN 755 standard, power coated to BS 6496 to 60 micron finish.
- Stock finishes: White – Interpon SA 098E high gloss, anodised.
- The sub-frame is manufactured from primed high quality, environmentally certified (MTCS) engineered timber.
- Standard sizes 45mm x 21mm & 62mm x 21mm.
- All Frames are factory glazed.
- Standard gasket colour is white.

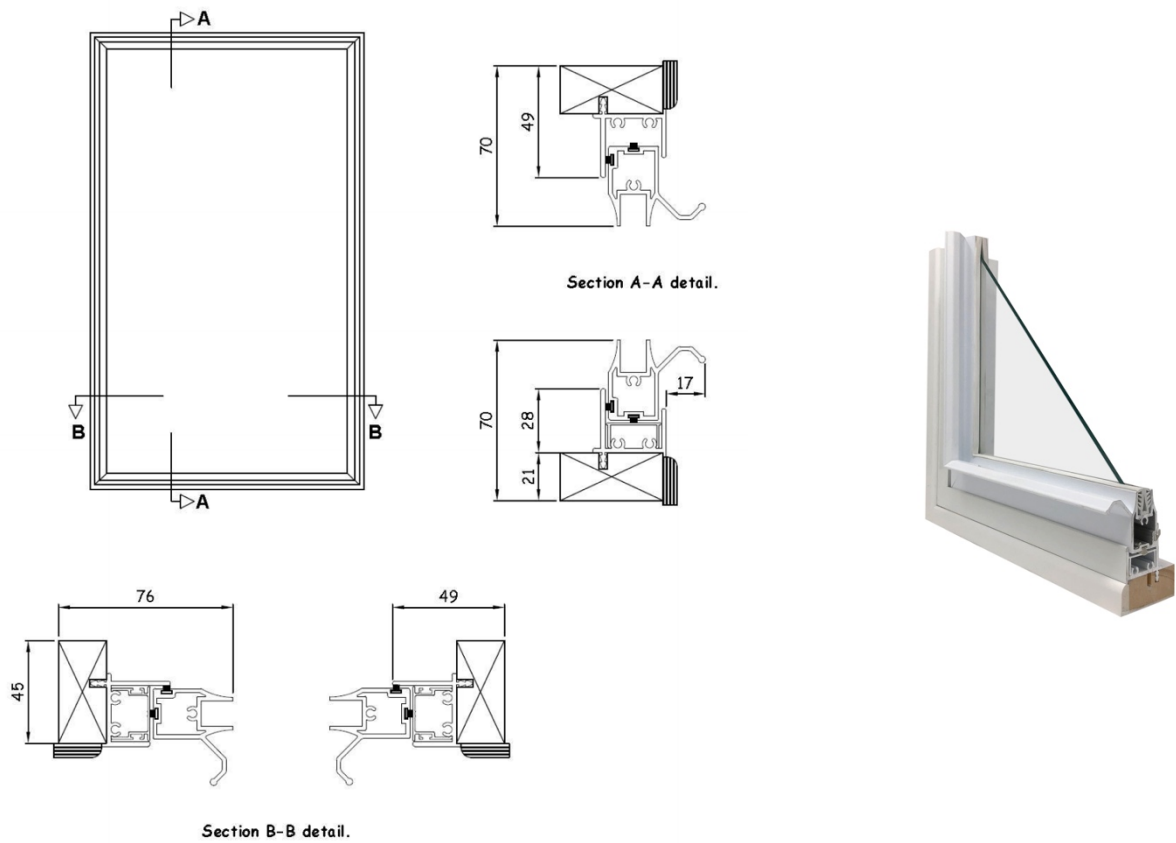
In line with our company policy of continuous product development and improvement Clearview reserves the right to make minor alterations without notice.

Optional Extras

- Black Gasket
- Chubb Lock
- 25mm x 25mm box to support where stacked white aluminium coupling / stacking interlock
- Trickle vents / acoustic trickle vents
- RAL colour
- Fly screen
- Timber sizes other than standard

Please scroll down for more information

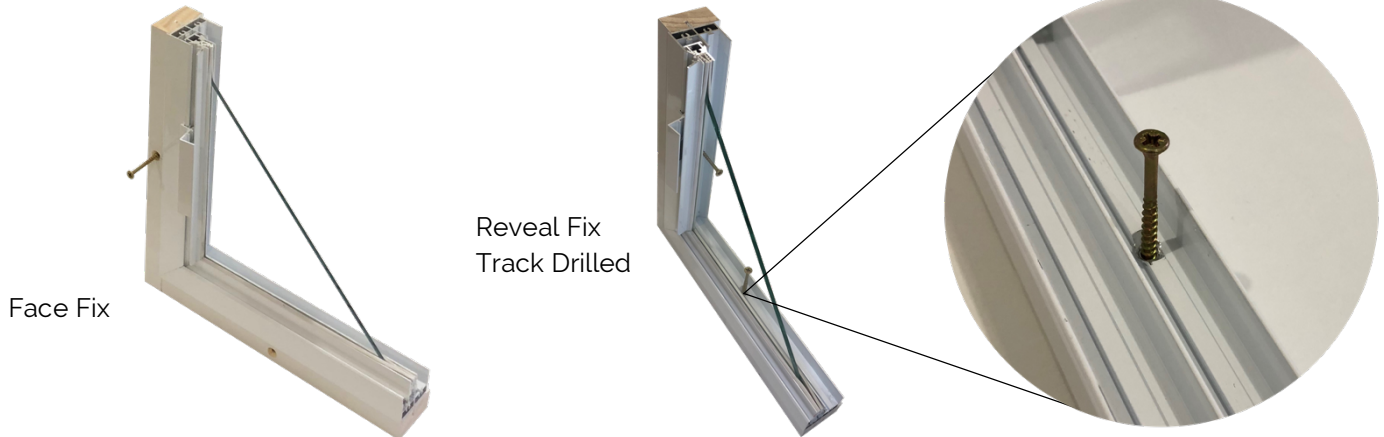
Standard Frame Diagram



All units can be supplied in a Face or Reveal Fix drilled orientation.

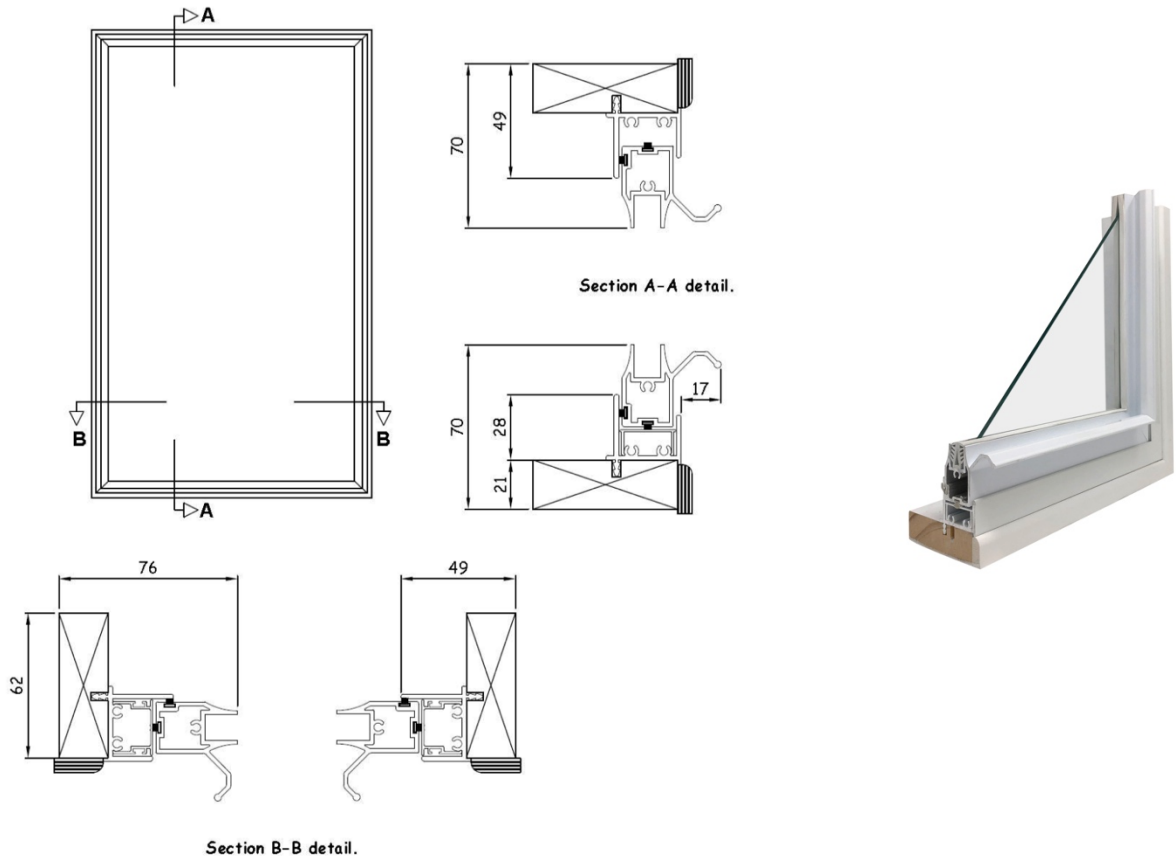
Other Frame options available on Request.

Fixing Options



Images are for representation purposes only and may differ from some product options.

XL Frame Diagram



Classic XL Frame Depth Options

62 x 2 70 x 21 80 x 21 (other frames available on request)

The XL Frames give more stable installation when in a standalone reveal fix orientation. Smoother running of horizontal sliding panels. No visible screw heads in the aluminium tracks it will also increase the air-gap in a face fix orientation.

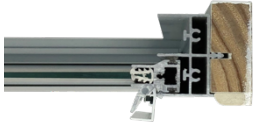
All units can be supplied in a Face or Reveal Fix drilled orientation.

Fixing Options



Images are for representation purposes only and may differ from some product options.

Timber Modification Options



Standard Timber Option



XL Timber Option



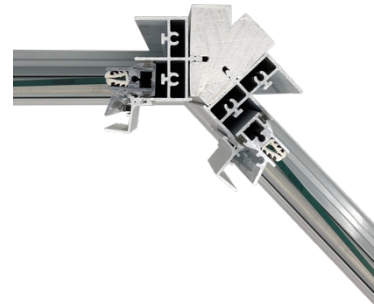
Bevelled Timber for Splayed Reveal



Example of Splayed Reveal



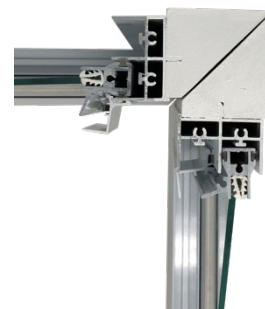
Angled Bay Bevelled Timber



Angled Bay Connected Timbers



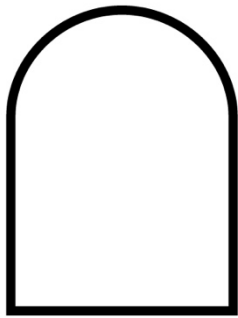
Square Bay Bevelled Timber



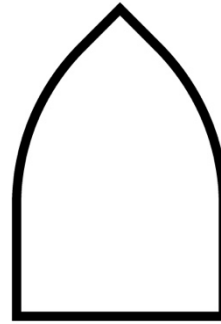
Square Bay Connected Timbers

Frame Shape Options

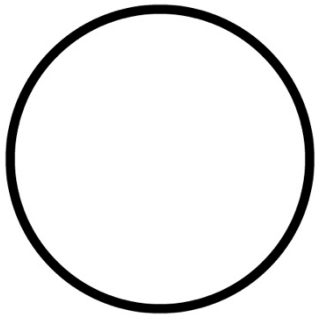
Subject to specific design requirement



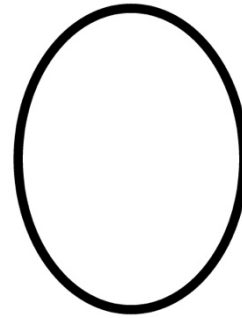
Standard Arch



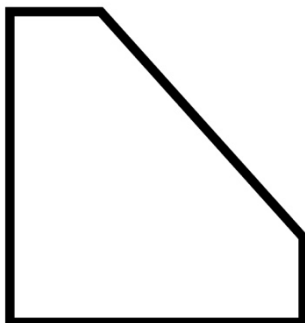
Gothic Arch



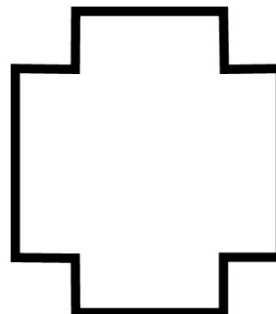
Round



Oval



Chamfered



Notched

Notched window showing 4 notches – notches are charged per notch

Templates are required from the customer



Please get in touch with one of our friendly team today for help & advice.



Online Help Centre
[Visit our Online Help Centre >>](#)



Fast Quote
[Get a fast quote online >>](#)



Email
info@clearviewsg.co.uk



Phone
0114 294 5018

