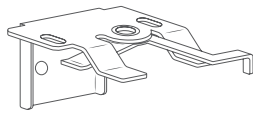


ALUMINIUM VENETIAN BLIND FITTING INSTRUCTIONS

FITTING COMPONENTS

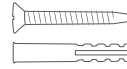
The assembly and installation of this product can be completed by non-professionals, in accordance with current trade and safety standards. Please consult a professional if any doubt exists.



Top & Face fix brackets:
Quantity to suit the length
of blind



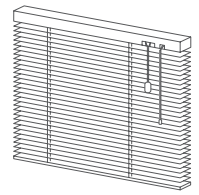
Wood screws:
4+



Screws: 4+
Rawl plugs: 4+



Child safety
device



Blind

FITTING HARDWARE



Metal tape
measure



Drill



Philips head
screwdriver



Stepladder



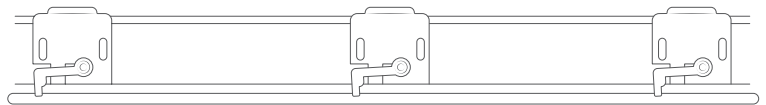
Drill bit



Pencil

1 BRACKET POSITION

Place blind into fitting position, space the brackets evenly.



2 INSTALLING THE BRACKETS

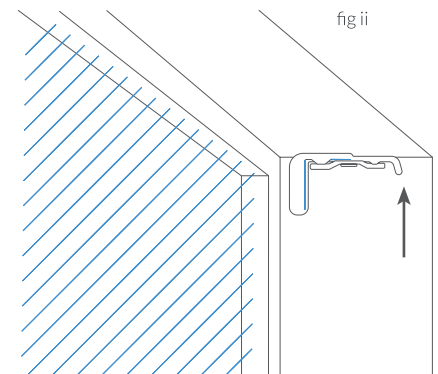
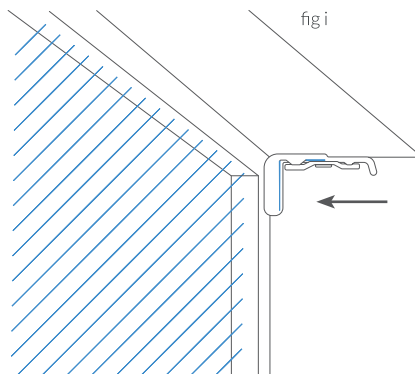
FACE FIXING (fig i)

Position the bracket against the surface and mark out the holes in the back of the bracket. Use rawl plugs if fitting to the wall.

TOP FIXING (fig ii)

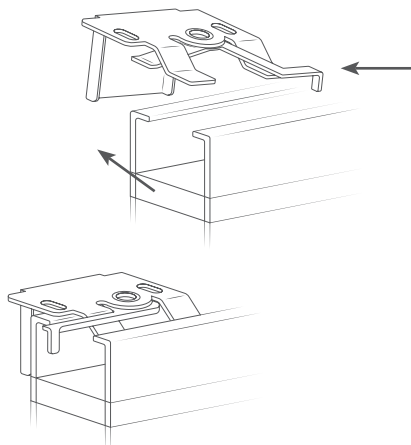
Position the bracket against the surface and mark out the holes in the top of the bracket. Use rawl plugs if fitting to the wall.

The headrail shall not be installed at less than 1.5 m from the floor.



3 FITTING THE HEADRAIL

Push the swing arm anti-clockwise as far as it will go. Clip the blind over the bracket. By first easing the front lip of the headrail into place, push swing arm clockwise until it locks into place, firmly holding the headrail.



4 OPERATING THE BLIND

- There are two controls to operate your blind: a raise/lower control and a tilt control.
- To lower the blind release the cord by moving it to the left/right* until the cord lock releases and gently let the cord slide through your fingers.
- To raise the blind pull the cord down until the blind is at the height you want. Move the cord to the left/right* and the cord lock will lock automatically.
- Slats should be in the open position when raising or lowering the blind.
- To adjust the angle of the slats, operate the tilt wand as required.

* Depending if left or right controls ordered.

Child Safety Device (Safety Cleat)

The accumulation device shall be installed as close to the headrail as possible, and no less than 1.5m from the ground.

1. Use double sided tape, or similar, to stick the tensioning device to the wall temporarily while preparing to drill and screw permanently into place.
2. Always wrap all loose cords around the cleat in a figure of 8 pattern.



Young children can be strangled by loops in pull cords, chains, tapes, and inner cords that operate the product. To avoid strangulation and entanglement, keep cords out of the reach of young children. Cords may become wrapped around a child's neck. Move beds, cots, and furniture away from window covering cords. Do not tie cords together. Make sure cords do not twist and create a loop.

